

637 Series Electromechanical Sealed Quartz AC Hour Meters

- 90-264 VAC Operating voltage, 50 to 60Hz
- Superior Quartz accuracy
- Tamper resistant
- 100% Sealed, waterproof
- 6 Figure display: 99999.9
- Round or rectangle bezel mounting



Rectangle Bezel
Model #637-01

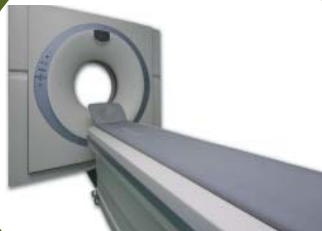


Round Bezel
Model #637-04

Applications:



Waste Water Treatment



Medical Equipment



CNC Machine Tools



Industrial Control Panels

637 Series Electromechanical Sealed Quartz AC Hour Meters

Description

M.H. Rhodes/Cramer Company offers the most accurate and long-term time keeping sealed Quartz AC Hour Meters available. This AC quartz Hour Meter has an operating range of 90-264 VAC, 50/60Hz. Models are available in the standard industry 2 screw or clip rectangular and 3 screw round mounting options. The 100% sealed case protects against tampering and environmental elements, providing years of reliable service. All models are NEMA 4X, 12 rated when mounted with optional gasket.

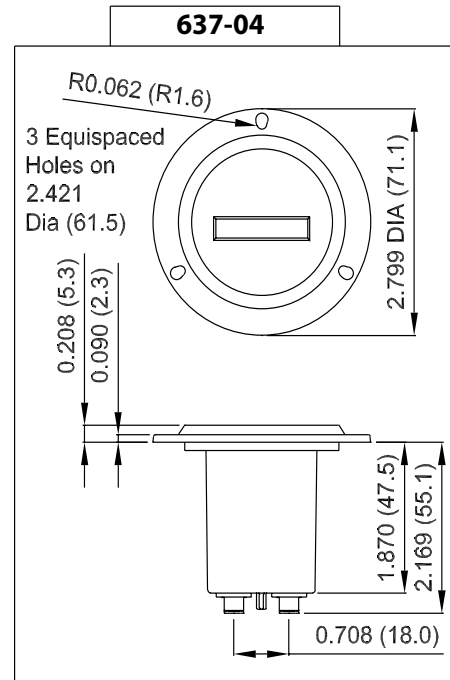
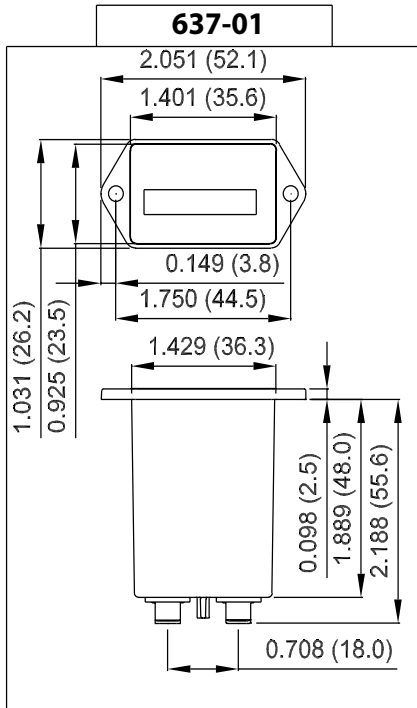
Dimensions



Rectangle Bezel
2 Screw or clip Mount
Model #637-01



Round Bezel
3 Screw Mount
Model #637-04



Features

- ☞ 90-264 VAC Operating voltage, 50/60Hz
- ☞ Superior Quartz accuracy
- ☞ 6 Figure measurement: 99999.9
- ☞ Waterproof, sealed from environmental elements
- ☞ Tamper resistant
- ☞ Round or rectangle screw or clip mounting options
- ☞ UL/cUL Recognized, CE & RoHS Compliant

Options

- ☞ Wire leads
- ☞ Gasket kit (for NEMA 4X, 12 rating)
- ☞ Custom lens
- ☞ Terminal placement: up, down, straight

www.mhrhodes-cramer.com



M.H. Rhodes/Cramer Company
105 Nutmeg Road South • South Windsor, CT 06074 USA
Toll Free: 877.684.6464 • PH: 860.291.8402 • FX: 860.620.0897

Image notice: CNC Machine Tools image courtesy of HAAS Automation, Inc.